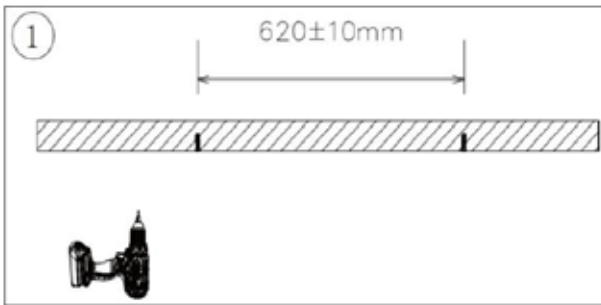


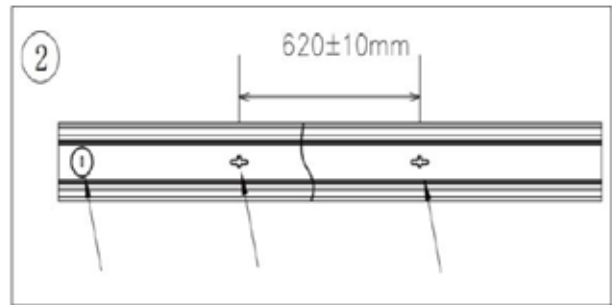
# HORSENS

## FLEKSIBELT LINEÆRT ARMATUR

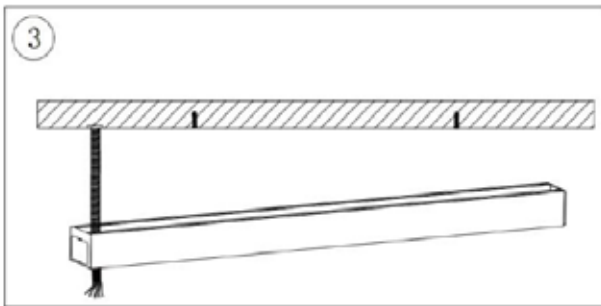
### INSTALLATION: OVERFLADE-MONTERET



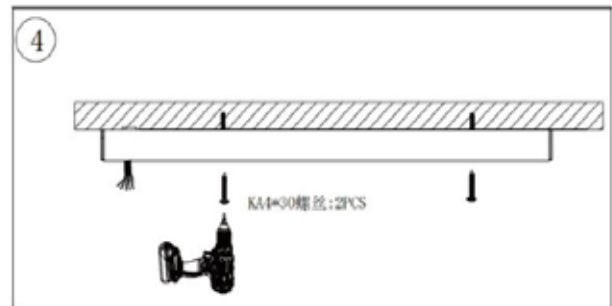
1. Set the size where you want to install the light, and make a hole in the wall with a drill.



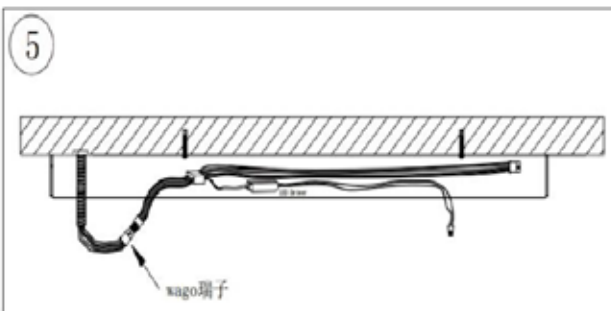
2. Remove the AC holes and mounting holes on the fixtures with a tool.



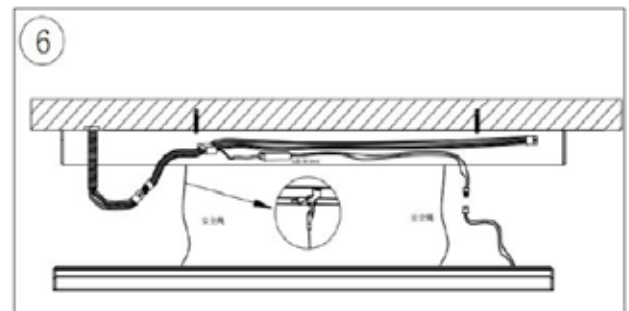
3. Pass the AC cable from the AC hole into the interior of the lamp.



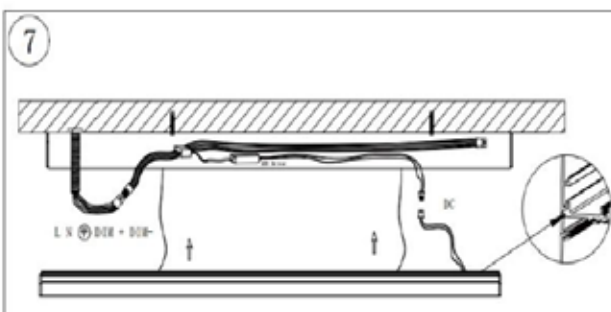
4. Pass the mounting hole with the screw and lock it into the plastic gecko hole.



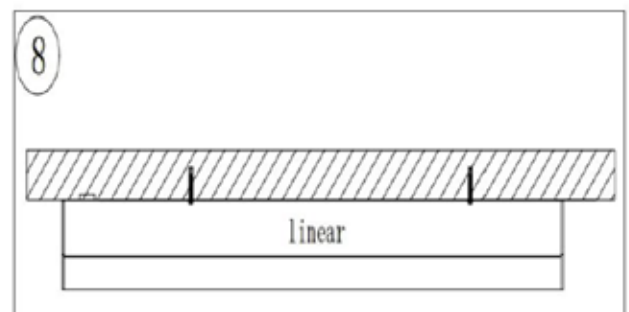
5. Insert the AC input wire into the hole corresponding to the WAGO terminal.



6. Buckle the safety rope into the light.



7. Connect the AC and DC cables.

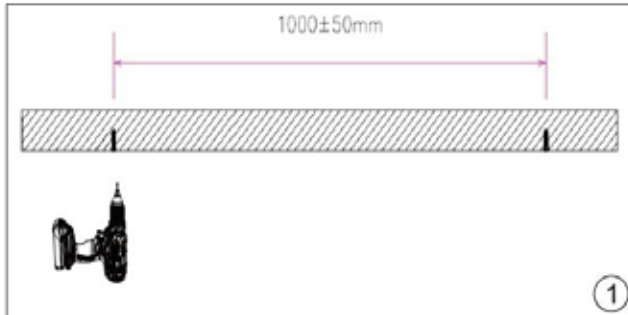


8. Fasten the upper and lower parts of the lamp.

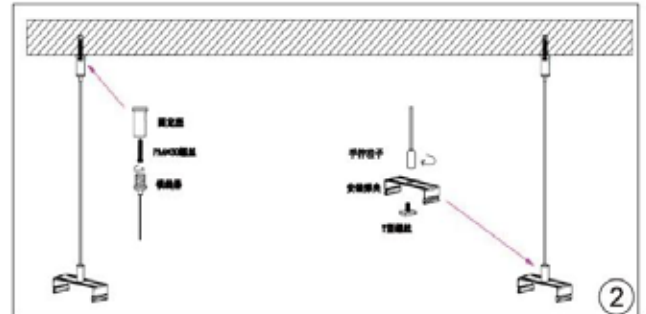
# HORSENS

## FLEKSIBELT LINEÆRT ARMATUR

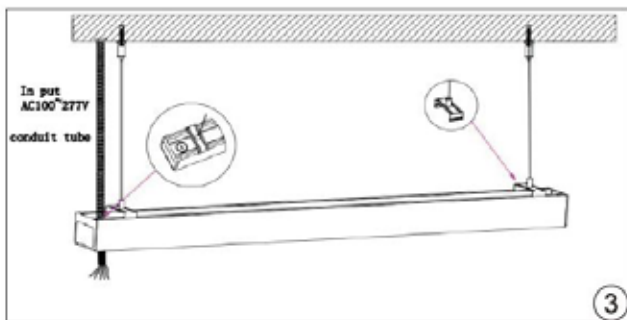
### INSTALLATION: OPHÆNGT



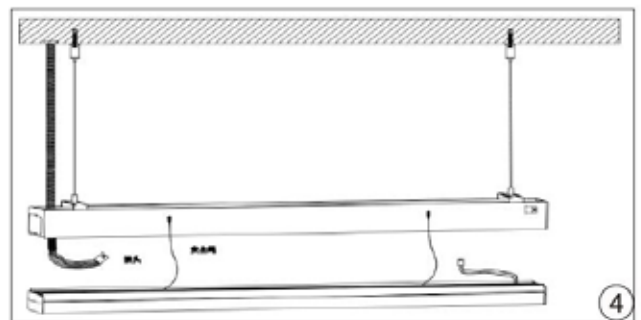
**1. Using screwdriver to fix screw and hanging string on the ceiling.**



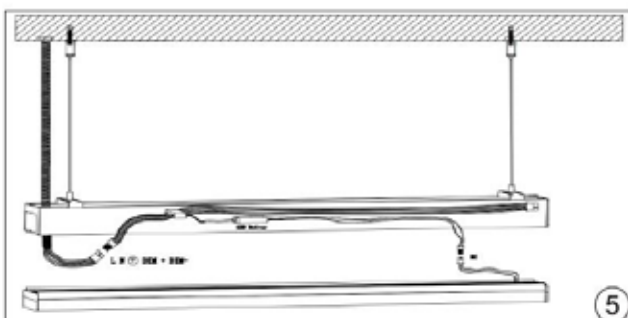
**2. Using PA4\*30 screws to fix the wire and accessories.**



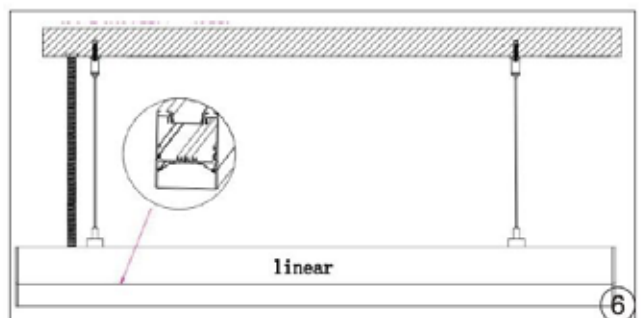
**3. Connecting the AC cable with the electrical terminal of the lamp Inside.**



**4. Insert the AC cable into the lamp plug and buckle the safety rope into the lamp.**



**5. Connect the lamp with AC100-347V input.**

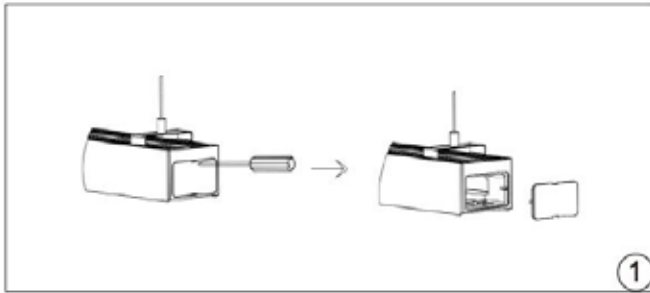


**6. Fasten the lamp to complete the installation.**

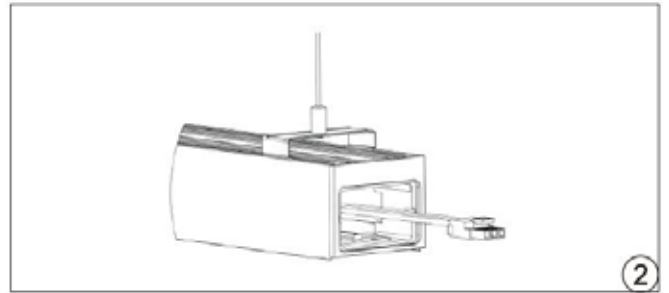
# HORSENS

## FLEKSIBELT LINEÆRT ARMATUR

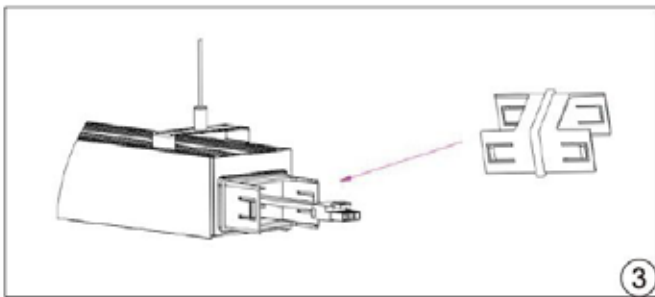
### FORBINDELSE:



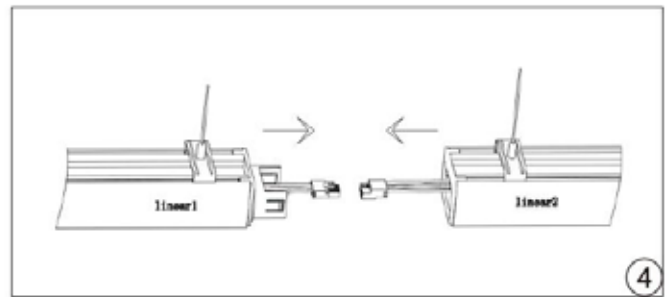
1. Remove the lamp end cap.



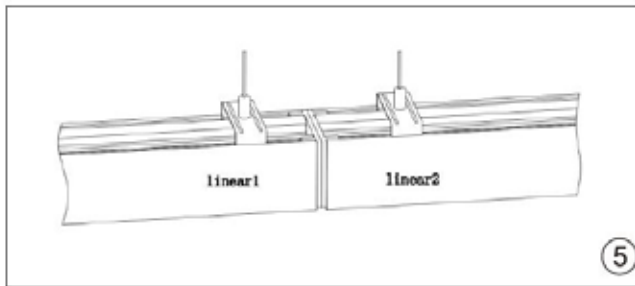
2. Lead the connection terminal out of the end cover.



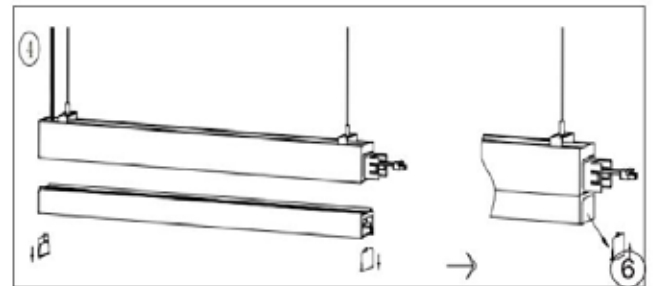
3. Insert the splicing connector into the lamp end cap.



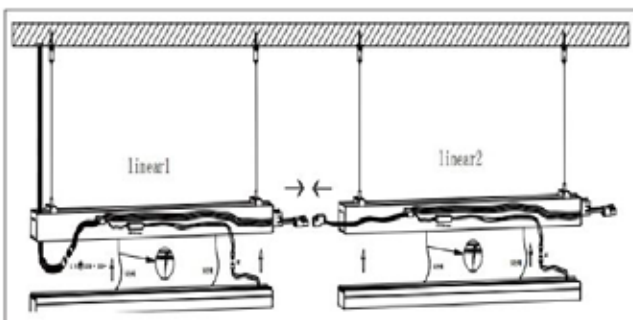
4. Connect the internal AC terminals of the two lamps.



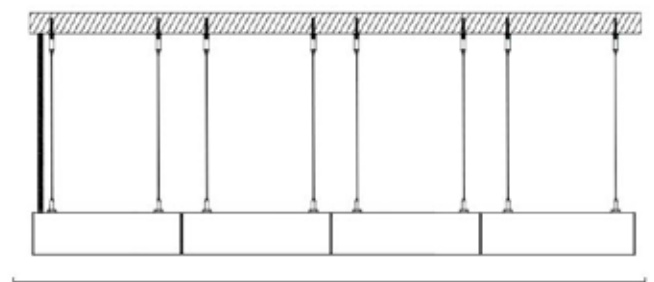
5. Put the two lights into the connector to finish the splicing installation.



6. Replace the end cap pc with a transparent pc.



7. Docking the lamps.



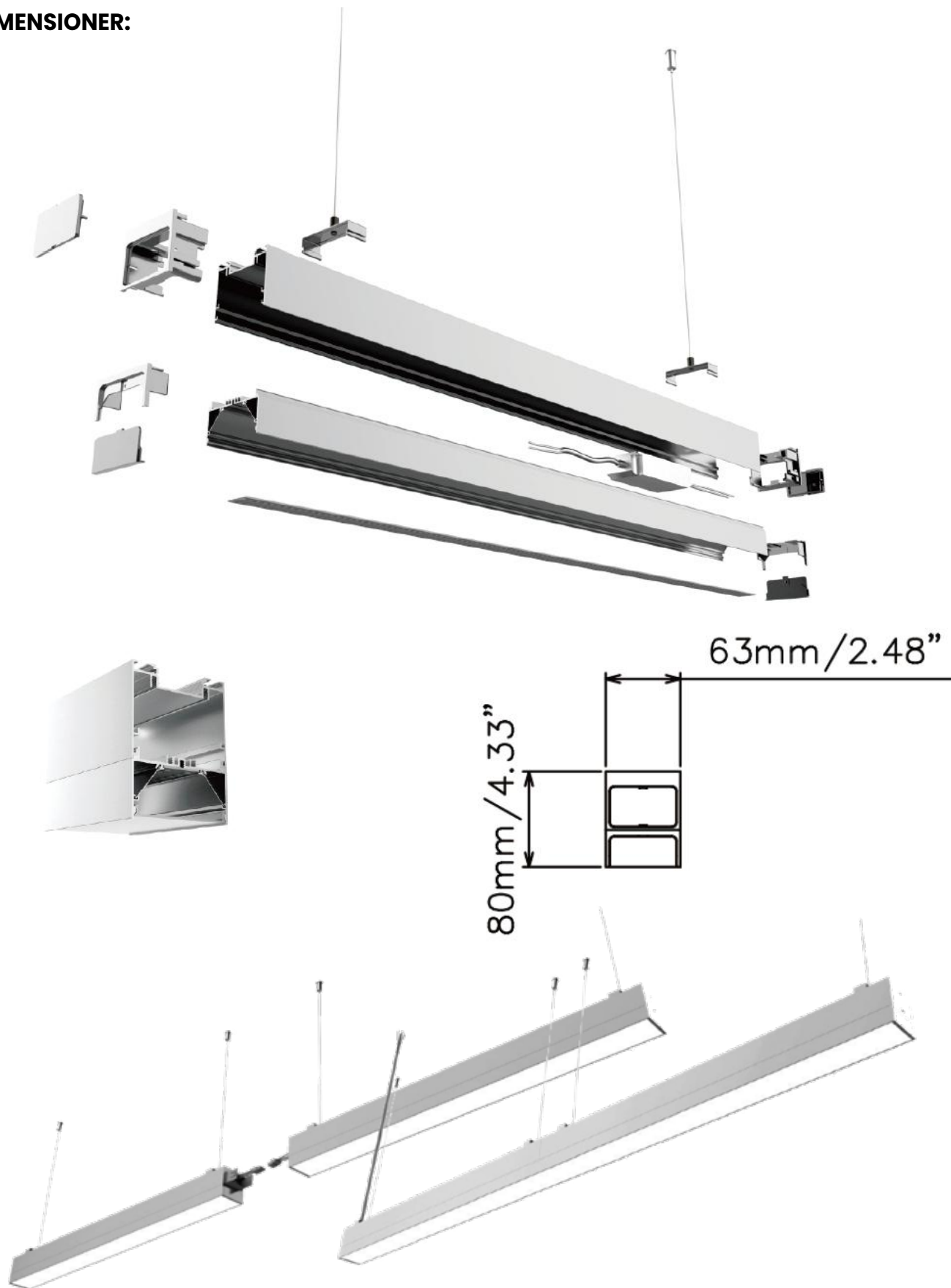
8. No more than 8 straight lines.

**Ultraline**  
PASSION FOR LIGHT

# HORSENS

FLEKSIBELT LINEÆRT ARMATUR

## DIMENSIONER:



**ultraline**  
PASSION FOR LIGHT